

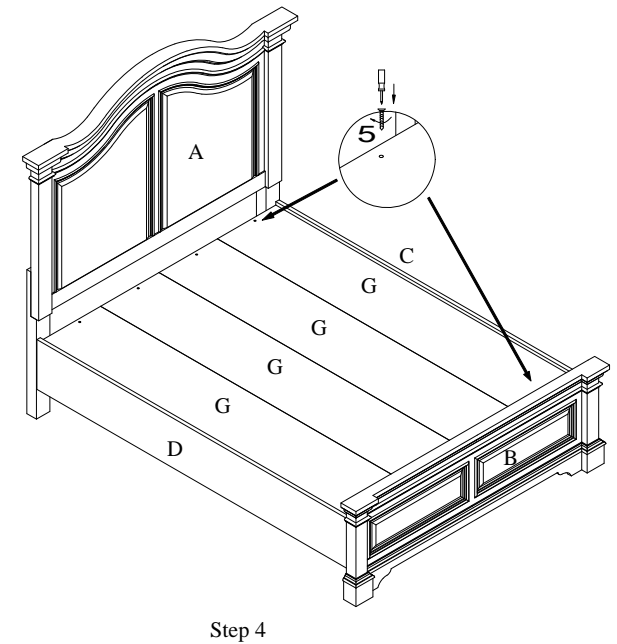
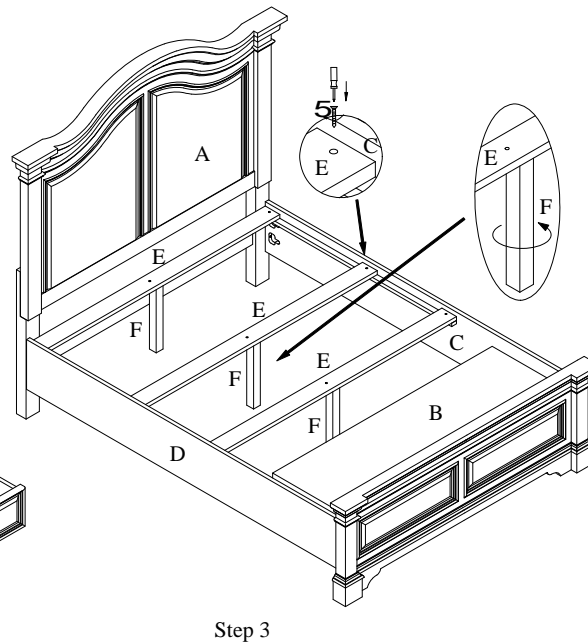
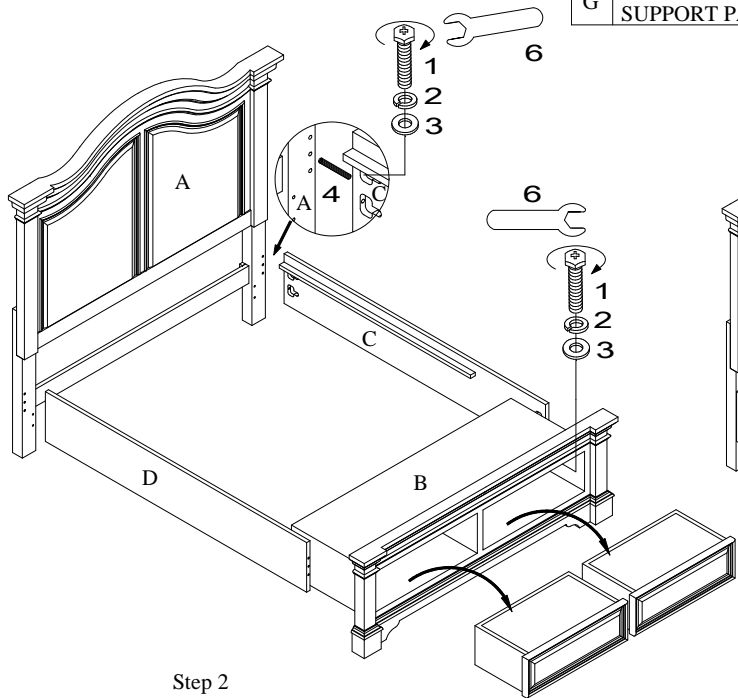
Assembly Instruction

Queen Bed with Storage Footboard and Mattress Support Panels

Parts List & Hardware List

Parts List		QTY	Parts List		QTY
A	HEADBOARD	1 pc	D	LEFT RAIL	1 pc
B	FOOTBOARD	1 pc	E	SLAT	3 pcs
C	RIGHT RAIL	1 pc	F	CENTER LEG SUPPORT	3 pcs
			G	MATTRESS SUPPORT PANEL	4 pcs

Hardware List		QTY	Hardware List		QTY
1	PHILLIPS HEAD BOLT	8 pcs	4	WOOD DOWEL	4 pcs
2	LOCK WASHER	8 pcs	5	SCREW	14 pcs
3	FLAT WASHER	8 pcs	6	WRENCH	1 pc



Assembly Procedures:

Step 1: Lay out all parts and hardware. Make sure the quantity of each is correct.

Step 2: Remove the drawers from the footboard. Assemble the right rail and left rail to headboard and footboard.

Step 3: Screw the center leg supports to slats. Assemble the slats to side rails. Make sure the slats are evenly spaced with the front slat assembled flush against the headboard.

Step 4: Assemble the mattress support panels to slats and footboard. Install the drawers in the footboard.

Assembly is now complete.