



## Assembly Instructions For Dresser and Mirror

Thank you for purchasing this quality product. Be sure to check all packing material carefully for small parts that may have come loose inside the carton during shipment.

**Caution:** (1) These parts are cumbersome and heavy. This product can best be assembled with the assistance of one or more persons in order to prevent personal injury and to insure parts are not damaged during the assembly process. If dirty, clean finished parts with mild dishwashing liquid and water solution applied on damp cloth. Cloth should not be excessively wet. Polish finish with soft cloth and an industry recognized furniture polish.

(2) To prevent damage to your floor or carpet, please check the bottom of each piece of furniture for stain residue and rough surfaces and also check for staples or nails left after removing the packaging material. The manufacturer will not be held responsible if preventative steps are not taken prior to installation.

**Note 1:** Use only the screws included in the package. Using different sizes could cause the wood to split or come out from the other side.

**Note 2:** Phillips head screwdriver required for assembly.

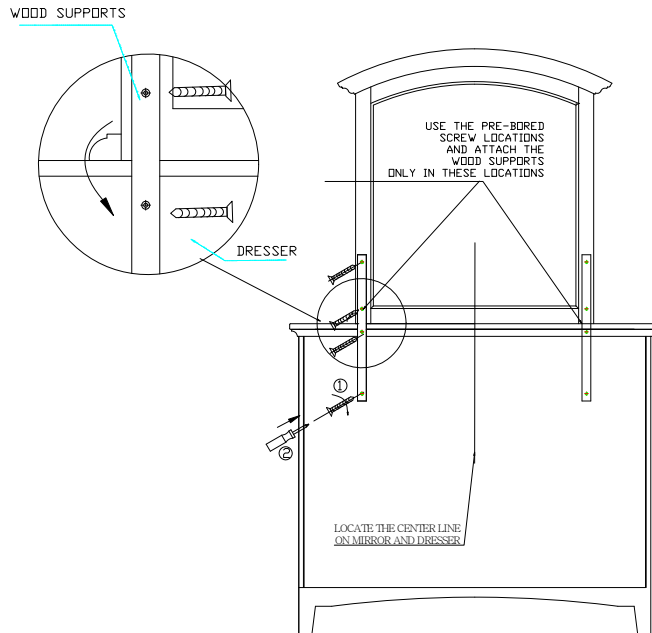
### **Assembly Procedures:**

Step 1: Position the mirror frame face down on a carpeted floor and position the wood supports on the back of the mirror frame so that half of the wood support is below the post.

Step 2: Place mirror frame on bureau and align center marks on back of mirror frame and bureau.

Step 3: Attach the mirror frame assembly using wood screws.

The mirror is now attached .OK



Assembly is now complete.

# Assembly Instructions for Bun Feet





Step 1. Unpack carton and inventory parts.

Step 2. Open drawers and locate box packed inside containing Bun Feet.

Step 3. Turn unit on its back in order to access bottom. Insert **DOWELS (4)** into non-threaded holes on the bottom of the unit and attach **BUN FEET** to the bottom of the unit use **BOLT (3)**, **SPRING WASHER (2)**, **FLAT WASHER (1)**, and tighten it with **SCREWDRIVER**. (Not Included)

Step 4. Turn unit upright carefully.

Note: During normal use everyday, bolts and nuts may loosen up. They should be periodically inspected and re-tightened to prevent damage to the furniture and (or) personal property or cause injury. Always check to be sure all hardware on this list is attached to the furniture properly and kept tightened at all times.

①		FLAT WASHER	5/16"	4PCS
②		SPRING WASHER	5/16"	4PCS
③		BOLT	5/16"	4PCS
④		DOWEL	40mm	8PCS

