

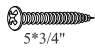
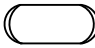



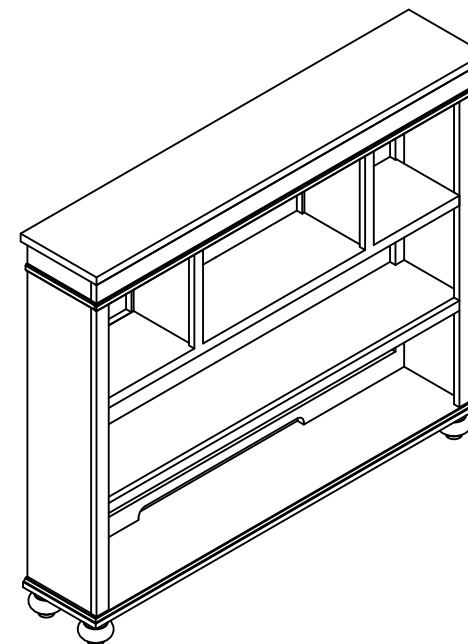
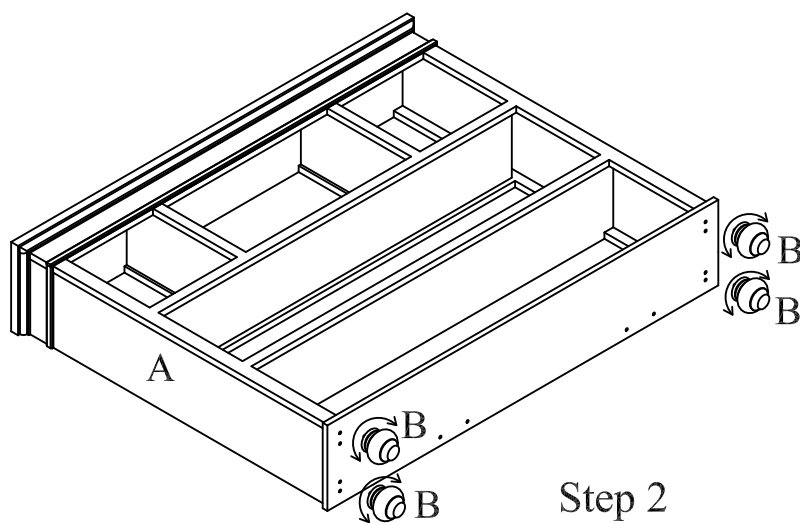
Assembly Instructions:

2830-7201 BOOKCASE HUTCH

Parts List and Hardware List:

PARTS LIST			Q'TY
A	BOOKCASE HUTCH		1 PC
B	LEG		4 PCS

HARDWARE LIST			Q'TY	HARDWARE LIST			Q'TY
1	WOOD SCREW	 5*3/4"	8 PCS	3	ANTI-TIP KIT		1 SET
2	MENDING PLATE	 76*18*2mm	2 PCS				



Assembly Procedures:

Step 1: Lay out all parts and hardware. Make sure the quantity of each is correct and the feet are free of stain, staples, screws and nails.

Step 2: Place the bookcase hutch (A) back down on a clean soft flat surface such as a blanket and ensure the surface is clear of any objects that could scratch or damage the bookcase hutch.

Assemble the legs (B) to the bookcase hutch (A) as shown.

Step 3: Turn the bookcase hutch upright.

Assembly is now complete.