






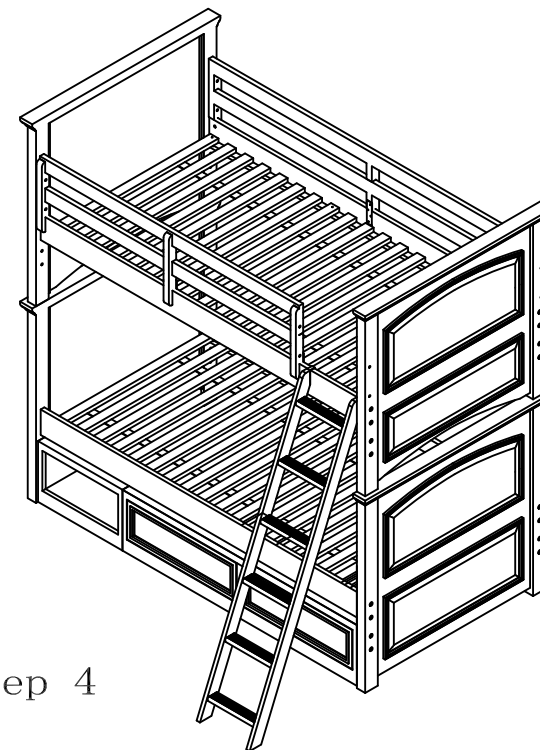
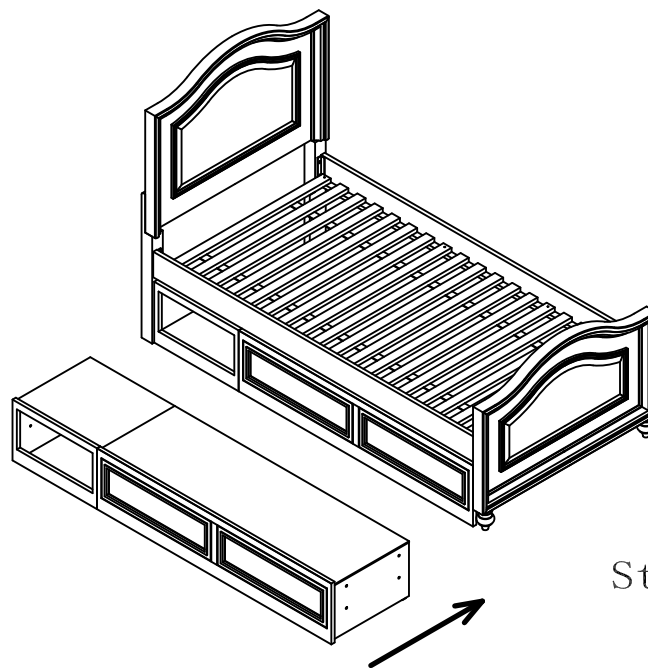
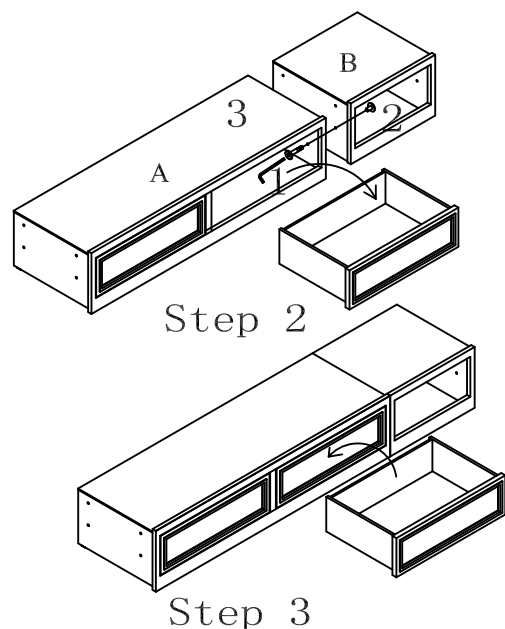
Assembly Instruction

2830-9300 Underbed Storage Drawer

Parts & Hardware List

HARDWARE LIST			QTY
1	BOLT	 1/4"*1-1/8"	4 PCS
2	HOLE COVER	 1/4"*17mm	4 PCS
3	ALLEN WRENCH	 4mm	1 PC

PARTS LIST		Qty
A	DRAWER BOX	 1 PC
B	OPEN BOX	 1 PC



Assembly Procedures:

Step 1: Lay out all parts and hardware. Make sure the quantity of each is correct.

Step 2: Remove the drawer of the drawer box (A). Assemble the drawer box (A) and open box (B) with hardware provided,

Step 3: Install the drawer.

Step 4: Push the storage unit under the available bed, bunk bed, or bookcase bed.

Assembly is now complete.