






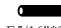




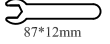
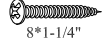


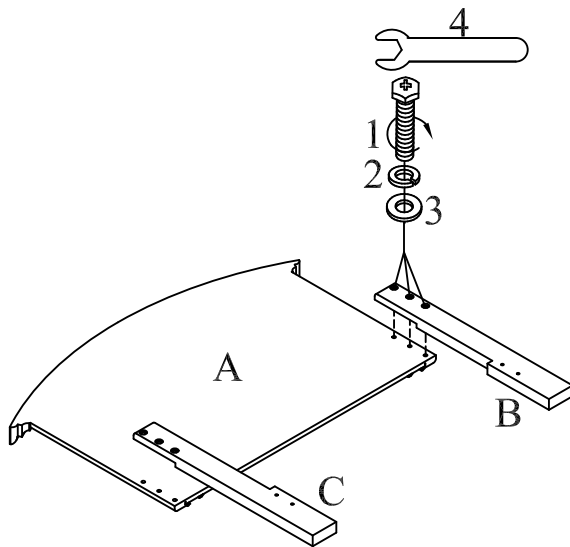
Assembly Instructions:

2880-4103/4113/4900 BED

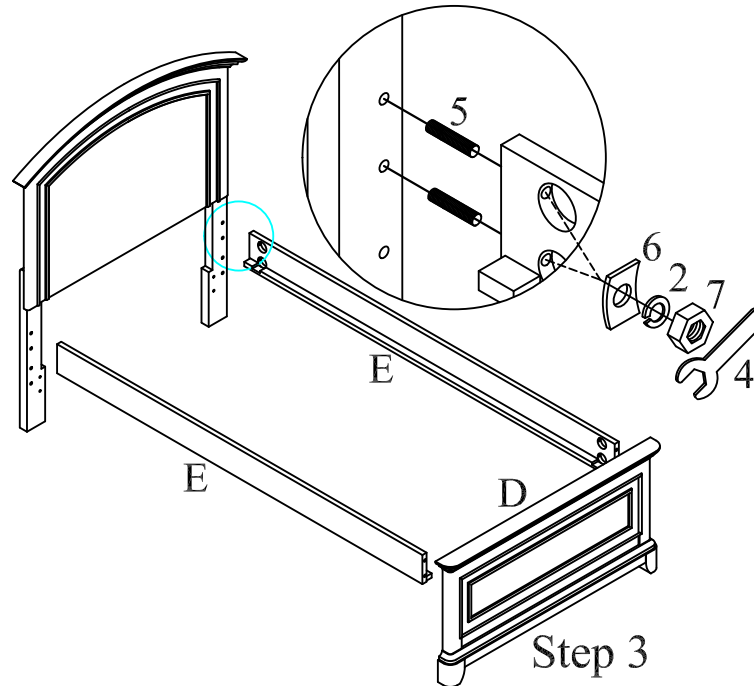
Parts List and Hardware List:

PARTS LIST			Q'TY	PARTS LIST			Q'TY
A	HEADBOARD		1 PC	D	FOOTBOARD		1 PC
B	LEFT POST		1 PC	E	BED RAIL		2 PCS
C	RIGHT POST		1 PC	F	SLAT ROLL		1 PC

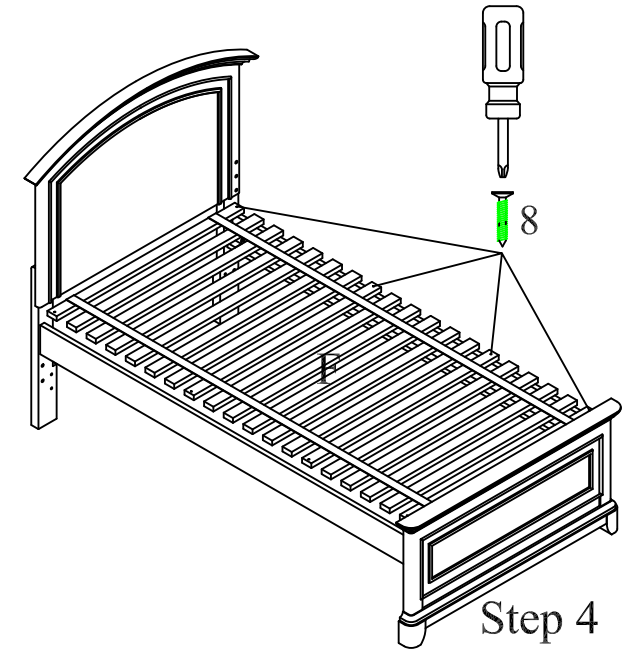
HARDWARE LIST			Q'TY	HARDWARE LIST			Q'TY
1	BOLT	 5/16"*1-1/2"	6 PCS	5	BOLT	 E5/16"*3-1/2"	8 PCS
2	SPRING WASHER	 5/16"	14 PCS	6	CURVED WASHER	 22*1.5mm	8 PCS
3	FLAT WASHER	 5/16"*23*2mm	6 PCS	7	Hex Nut	 5/16"	8 PCS
4	WRENCH	 87*12mm	1 PC	8	WOOD SCREW	 8*1-1/4"	8 PCS



Step 2



Step 3



Step 4

Assembly Procedures:

Step 1: Lay out all parts and hardware. Make sure the quantity of each is correct and the feet are free of stain, staples, screws and nails.

Step 2: Assemble the left & right posts (B&C) to the headboard (A) as shown.

Step 3: Assemble the bed rails (E) to headboard (A) and footboard (D) as shown.

Step 4: Put the slat roll (F) on the bed cleats, spread out and fasten wood screws.

Assembly is now complete.