



k i d s
legacy classic
www.legacyclassickids.com

Assembly Instructions:

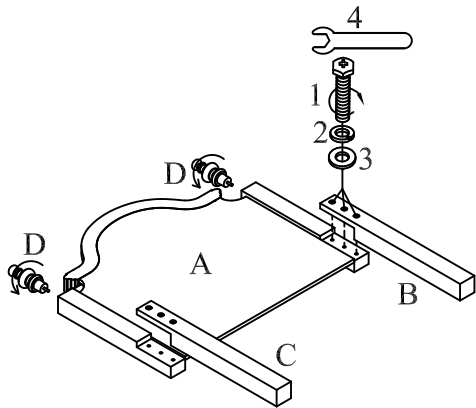
3850-4203/4213/4900 BED

Do not throw away any packing materials until the furniture is completely assembled.

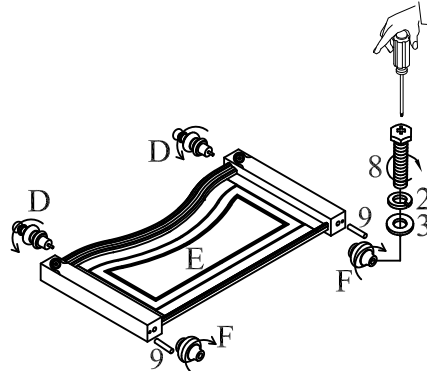
Parts List and Hardware List:

PARTS LIST			Q'TY	PARTS LIST			Q'TY
A	HEADBOARD		1 PC	E	FOOTBOARD		1 PC
B	LEFT POST		1 PC	F	BUN FOOT		2 PCS
C	RIGHT POST		1 PC	G	BED RAIL		2 PCS
D	FINIAL		4 PCS	H	SLAT ROLL		1 PC

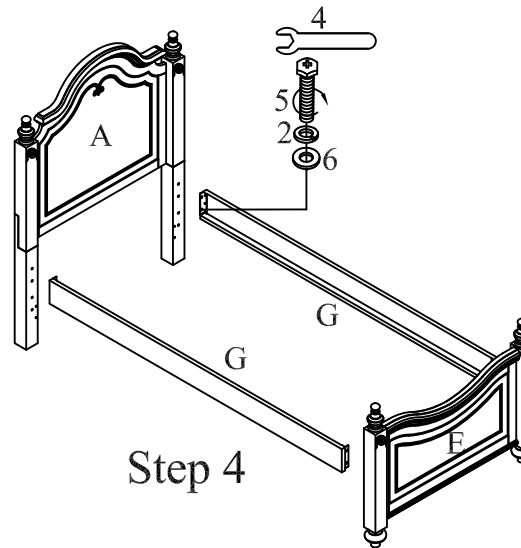
HARDWARE LIST			Q'TY	HARDWARE LIST			Q'TY
1	LONG BOLT	5/16"*2"	6 PCS	5	SHORT BOLT	5/16"*1"	8 PCS
2	SPRING WASHER	5/16"	16 PCS	6	FLAT WASHER	5/16"*16*1.2mm	8 PCS
3	FLAT WASHER	5/16"*19*1.5mm	8 PCS	7	WOOD SCREW	8*1-1/4"	8 PCS
4	WRENCH	87*12mm	2 PCS	8	LONG BOLT	5/16"*4-1/2"	2 PCS
				9	WOOD DOWEL	7*20mm	2 PCS



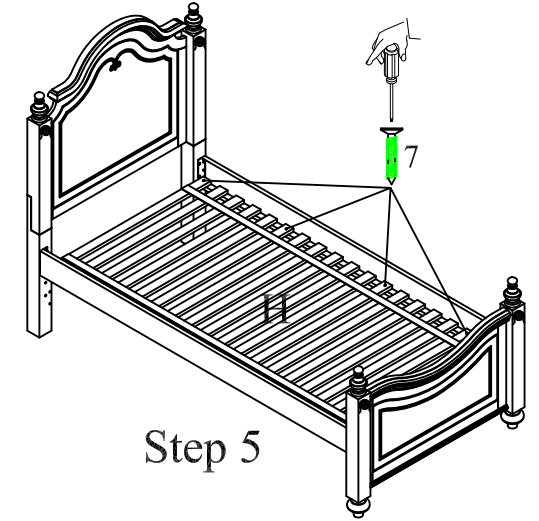
Step 2



Step 3



Step 4



Step 5

Assembly Procedures:

Step 1: Lay out all parts and hardware. Make sure the quantity of each is correct and the feet are free of stain, staples, screws and nails.

Step 2: Assemble the finials (D) and left & right posts (B&C) to the headboard (A) as shown.

Step 3: Assemble the finials (D) and bun feet (F) to the footboard (E) as shown.

Step 4: Assemble the bed rails (E) to headboard (A) and footboard (E) as shown.

Step 5: Put the slat roll (H) on the bed cleats, spread out and fasten wood screws.

Assembly is now complete.