



**k i d s**  
legacy classic  
www.legacyclassickids.com

# Assembly Instructions:

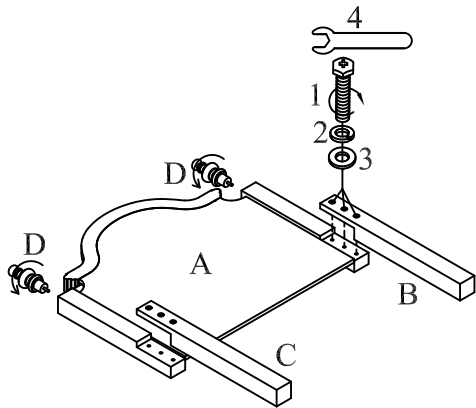
## 3850-4204/4214/4900 BED

Do not throw away any packing materials until the furniture is completely assembled.

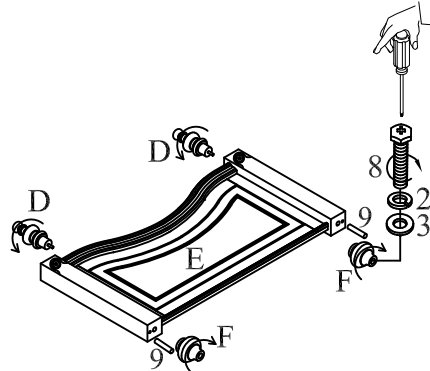
### Parts List and Hardware List:

PARTS LIST			Q'TY	PARTS LIST			Q'TY
A	HEADBOARD		1 PC	E	FOOTBOARD		1 PC
B	LEFT POST		1 PC	F	BUN FOOT		2 PCS
C	RIGHT POST		1 PC	G	BED RAIL		2 PCS
D	FINIAL		4 PCS	H	SLAT ROLL		1 PC

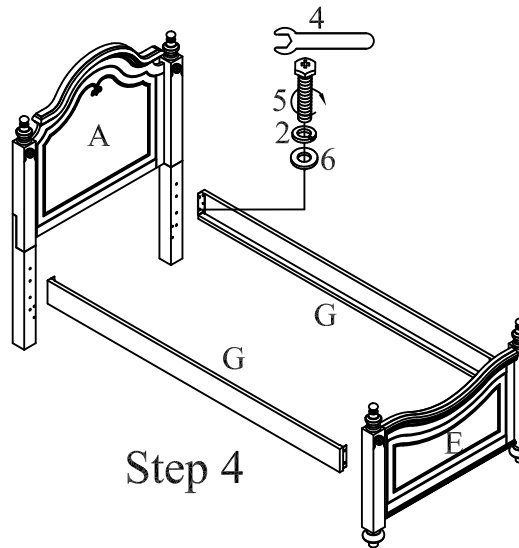
HARDWARE LIST			Q'TY	HARDWARE LIST			Q'TY
1	LONG BOLT	5/16"*2"	6 PCS	5	SHORT BOLT	5/16"*1"	8 PCS
2	SPRING WASHER	5/16"	16 PCS	6	FLAT WASHER	5/16"*16*1.2mm	8 PCS
3	FLAT WASHER	5/16"*19*1.5mm	8 PCS	7	WOOD SCREW	8*1-1/4"	8 PCS
4	WRENCH	87*12mm	2 PCS	8	LONG BOLT	5/16"*4-1/2"	2 PCS
				9	WOOD DOWEL	7*20mm	2 PCS



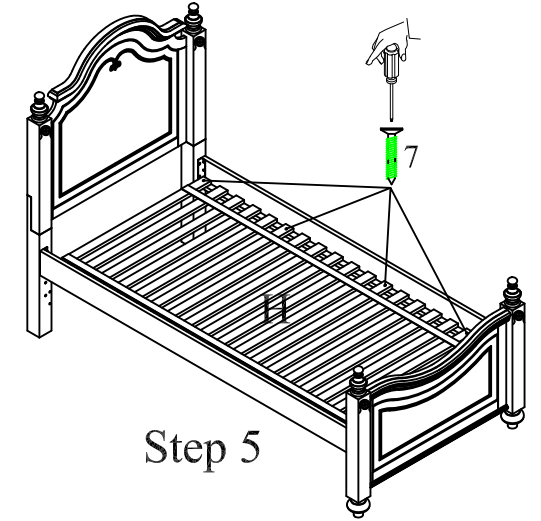
Step 2



Step 3



Step 4



Step 5

### Assembly Procedures:

Step 1: Lay out all parts and hardware. Make sure the quantity of each is correct and the feet are free of stain, staples, screws and nails.

Step 2: Assemble the finials (D) and left & right posts (B&C) to the headboard (A) as shown.

Step 3: Assemble the finials (D) and bun feet (F) to the footboard (E) as shown.

Step 4: Assemble the bed rails (E) to headboard (A) and footboard (E) as shown.

Step 5: Put the slat roll (H) on the bed cleats, spread out and fasten wood screws.



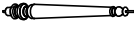

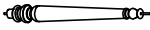


**Assembly is now complete.**

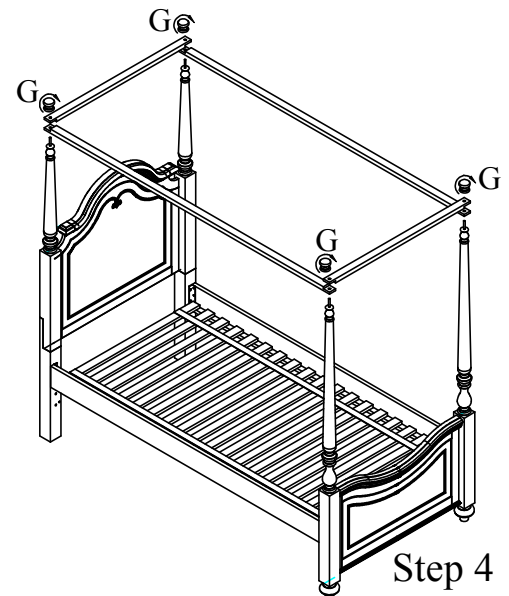
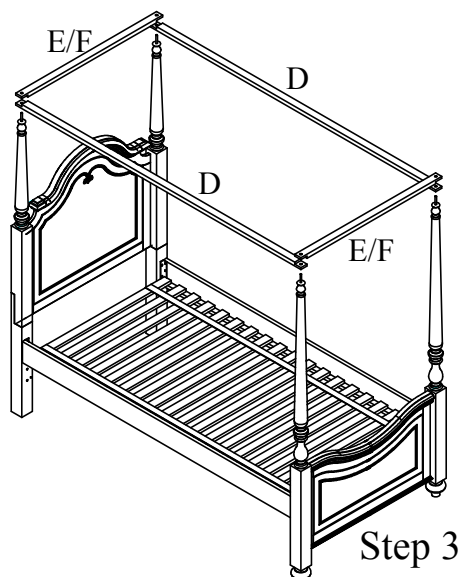
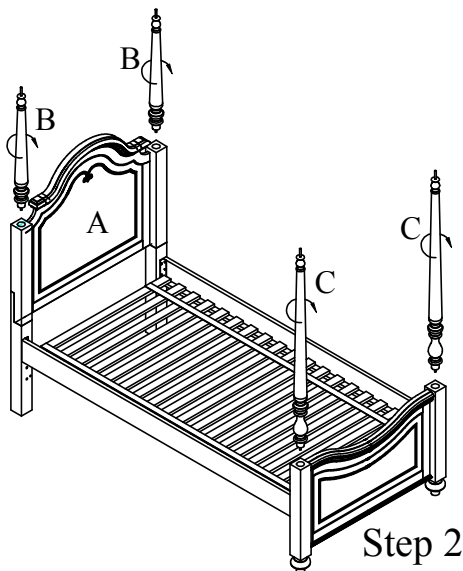
# ASSEMBLY INSTRUCTIONS:

3850-4433 CANOPY

Thank you for purchasing this quality product. Before beginning, please check the packing material carefully for small parts which may have come loose inside the carton during shipping. Please do not discard any packing material until all parts have been located. If any parts are missing, please contact your dealer for prompt replacement.

## Parts & Hardware List:

PARTS LIST			Q'TY	PARTS LIST			Q'TY
A	LOW POSTER BED		1 PC	E	MEDIUM STRETCHER		2 PCS
B	SHORT POST		2 PCS	F	SHORT STRETCHER		2 PCS
C	LONG POST		2 PCS	G	FINIAL		4 PCS
D	LONG STRETCHER		2 PCS				



### Assembly Procedures:

Step 1: Lay out all parts and hardware. Make sure the quantity of each is correct and the feet are free of stain, staples, screws and nails.

Step 2: Assemble the short posts (B) to the head board and assemble the long posts (C) to the footboard as shown.

Step 3: Insert the long stretchers (D) to the long & short posts as shown.

Insert the medium or short stretchers (E or F) to the long & short posts as shown.

**Note:** The medium stretchers (E) are for full size 4/6 bed and the short stretchers (F) are for twin size 3/3 bed.

Step 4: Assemble the finials (G) to the long & short posts as shown.

Caution: Over-tightening screws or bolts may result in damage. It is suggested that at least two people work together for this assembly process to avoid injury. Following assembly, the furniture should be cleaned with a quality, non-silicone furniture polish on a clean, soft cloth.