

Thank you for purchasing this quality product. Be sure to check all packing material carefully for small parts that may have come loose inside the carton during shipment.

**Caution:** (1) These parts are cumbersome and heavy. This product can best be assembled with the assistance of one or more persons in order to prevent personal injury and to insure parts are not damaged during the assembly process. If dirty, clean finished parts with mild dishwashing liquid and water solution applied on damp cloth. Cloth should not be excessively wet. Polish finish with soft cloth and an industry recognized furniture polish.

(2) To prevent damage to your floor or carpet, please check the bottom of each piece of furniture for stain residue and rough surfaces and also check for staples or nails left after removing the packaging material. The manufacturer will not be held responsible if preventative steps are not taken prior to installation.




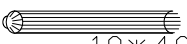
(3) Unpack and dispose of all packing material but be careful not to throw away any assembly parts or hardware. Read the instruction sheet and parts list carefully. Remove all staples and screws used for packaging carefully using pliers and or screwdrivers to prevent injury and scratching or damaging flooring.

(4) During normal use everyday, screws, bolts, nuts and wooden plugs may loosen up. They should be periodically inspected and re-tightened to prevent damage to the furniture and (or) personal property or cause injury. Always check to be sure all hardware on this list and the above mentioned components is attached to the furniture properly and kept tightened at all times.

**PARTS List**

Item	Description	Qty	Item	Description	Qty
A	Support leg	2	B	Bottom Stretcher	1
C	Headboard	1		Hardware pack	See below

**Hardware List**

①	BOLT	 5/16" * 2"	10PCS
②	LOCK WASHER	 5/16"	10PCS
③	FLAT WASHER	 5/16"	10PCS
④	WOOD DOWEL	 10 * 40MM	4PCS

**Assembly Procedures:**

Step 1: Lay out all parts and hardware. Make sure the quantity of each is correct.

Step 2: Guided by the wood dowel (4), attach the Bottom Stretcher (B) to the Support Leg (A), using the Bolt (1), Lock Washer (2), Flat Washer (3), and tighten them with screwdriver (not provided).

Step 3: Rest the Headboard (C) face down onto a clean and soft, flat surface such as a blanket and ensure that the surface is clear of any objects that could scratch or damage the headboard. Attach the Support Leg (A) to the Headboard (C), using the Bolt (1), Lock Washer (2), Flat Washer (3), and tighten them with screwdriver (not provided).

Step 4: Turn the entire Headboard upright. The Headboard is now ready to assemble with the footboard and rails. These assembly instructions are a separate sheet found inside the carton.

**Assembly Instruction**

**9180-4705-4706 Headboard**

Assembly is now complete.

