



## Assembly Instructions For Chairs

CAUTION: TO PREVENT SOILING OR DAMAGE TO FLOORS OR CARPETS, PLEASE CHECK THE BOTTOM OF EACH PIECE OF FURNITURE FOR STAIN RESIDUE AND ROUGH SURFACES AND ALSO CHECK FOR STAPLES OR NAILS LEFT AFTER REMOVING THE PACKAGING MATERIAL. WIPE OFF ANY EXCESS STAIN RESIDUE WITH A CLOTH RAG BEFORE ASSEMBLY AND PLACE MENT OF THE FURNITURE ON FLOORS OR CARPETS. THE MANUFACTURER WILL NOT BE HELD RESPONSIBLE IF PREVENTATIVE STEPS ARE NOT TAKEN PRIOR TO INSTALLATION.

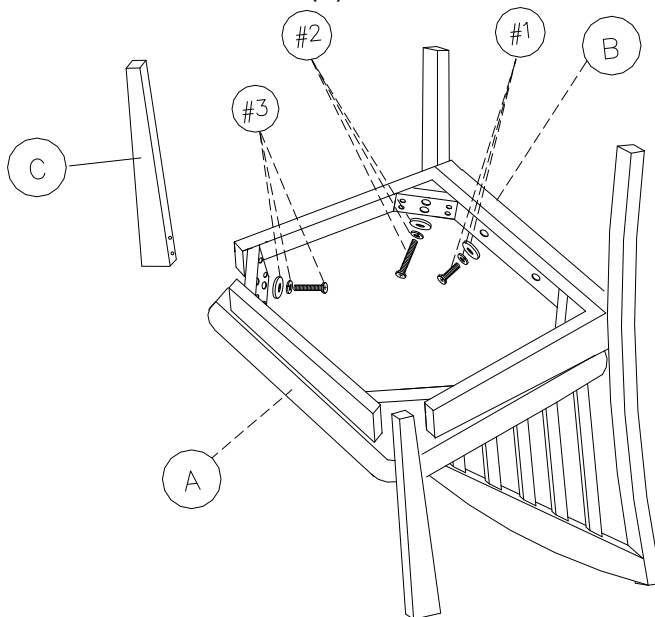
### Important note:




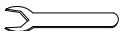
1. Use only the hardware supplied.
2. Do not over-tighten bolts
3. First read the chair leveling instruction sheet.

### Assembly Instructions:

#### STEPS

1. PLACE THE UPHOLSTERED SEAT CUSHION (A) UPSIDE DOWN ON A CLEAN, SOFT SURFACE.
2. ASSEMBLE THE BACK FRAME ( B ) TO THE BACK RAIL OF THE SEAT FRAME ( A ) USING ----- # 1 ( BOLT + SPRING WASHER + FLAT WASHER ).
3. ATTACH THE REAR CORNER BLOCKS OF THE SEAT FRAME ( A ) TO THE BACK LEGS AND FRAME ( B ) USING ----- # 2 ( BOLT+ SPRING WASHER + FLAT WASHER ).
4. ASSEMBLE FRONT CORNER BLOCKS OF SEAT FRAME WITH THE FRONT LEGS ( C ) USING ----- # 3 ( BOLT + SPRING WASHER + FLAT WASHER ). HAND TIGHTEN THESE BOLTS WITH WRENCH # 4.
5. AFTER MAKING SURE ALL BOLTS ARE ATTACHED AND HAND TIGHTENED, TURN THE CHAIR OVER.
6. LEVEL THE CHAIR FOLLOWING "CHAIR LEVELING INSTRUCTION" .
7. MAKE SURE THE CHAIR IS LEVEL AND THEN TIGHTEN ALL BOLTS COMPLETELY USING THE WRENCH SUPPLIED.
8. REMOVE THE PLASTIC COVER ON THE UPHOLSTERED SEAT ( A ).



PART LIST		QTY	NO.	HARDWARE LIST			QTY
A	UPHOLSTERY SEAT CUSHION WITH WOOD FRAME	1PC	# 1		1-1/2" L	BOLT + SPRING WASHER + FLAT WASHER ----- 5/16" Dia	2SETS
B	CHAIR BACK FRAME	1PC	# 2		3" L	BOLT + SPRING WASHER + FLAT WASHER ----- 5/16" Dia	4SETS
C	FRONT LEG	2PCS	# 3		2-1/2" L	BOLT + SPRING WASHER + FLAT WASHER ----- 5/16" Dia	4SETS
			# 4			WRENCH	1PC

ADDITIONAL NOTE ABOUT SAFETY: BOLTS MAY LOOSEN DURING NORMAL EVERYDAY USE. THEY SHOULD BE PERIODICALLY INSPECTED AND RE-TIGHTENED TO PREVENT DAMAGE OR INJURY. ALWAYS CHECK TO BE SURE THAT ALL HARDWARE IS KEPT TIGHTENED.