



Thank you for purchasing this quality product. Be sure to check all packing material carefully for small parts that may have come loose inside the carton during shipment.

Caution: (1) These parts are cumbersome and heavy. This product can best be assembled with the assistance of one or more persons in order to prevent personal injury and to insure parts are not damaged during the assembly process.

(2) To prevent damage to your floor or carpet, please check the bottom of each piece of furniture for stain residue and rough surfaces and also check for staples or nails left after removing the packaging material. The manufacturer will not be held responsible if preventative steps are not taken prior to installation.

PARTS LIST:

Description	Q'TY	Description	Q'TY
Front Panel (A)	1 PC	Bottom Center Panel(E)	1 Pcs
Back Panel (B)	1 PC	Cross rails (F)	2 Pcs
Side Panel (C)	2 PC	Divide Panel (G)	2 Pcs
Bottom Side Panel(D)	2 Pcs	Hardware list (see below)	

Assembly Procedures:

1. Lay out all the parts and hardware. Make sure the quantity of each is correct.
2. See Figure 1 & 2, connect four panels together. **Front Panel (A), Side Panel (C), Back Panel (B)** by using the **long bolts (1)**.
3. See Figure 3, turn the whole unit upside down. Attach two **Cross Rails (F)** using **Lock washer (4), flat washer (3), Bolts (2)** to the cleats of front and back panel, and tighten with **Spanner (5)**.
4. Install the **Swivel Casters (6)** and **Flat Washers (8)** into block of **Front (A) and Back panel (B)** and use the **Wrench (7)** to tighten them.
5. See Figure 4: Turn the unit right side up and insert three bottom panels (D, E)
6. See Figure 5: And then insert two **Divide panel (G)** along the scores (for use as a storage drawer) or insert trundle size mattress (Maximum size 38"*73"*8"H) for use as trundle bed.
7. See Figure 6: push the whole unit under the bed.

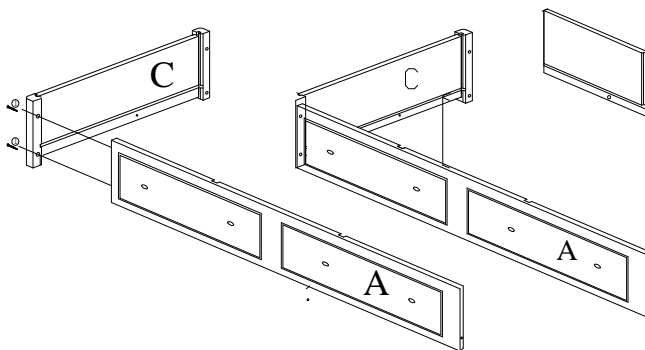


Figure 1

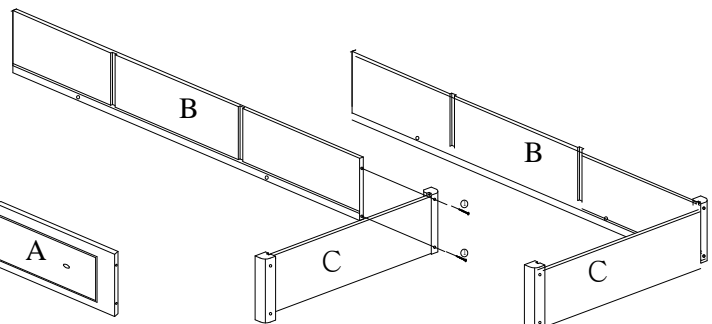


Figure 2

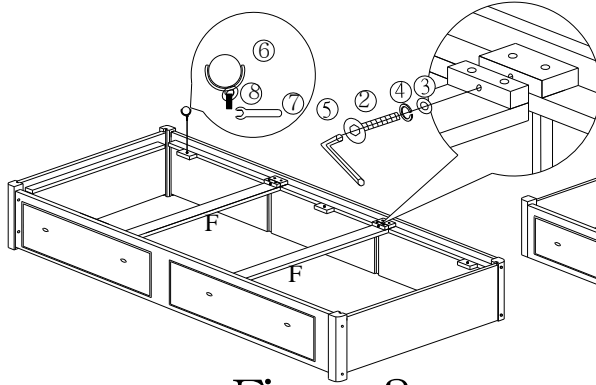


Figure 3

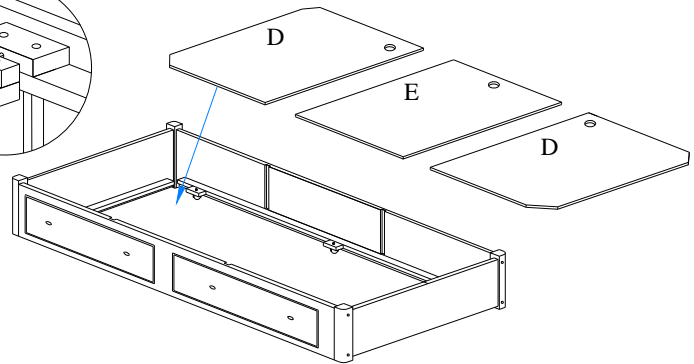


Figure 4

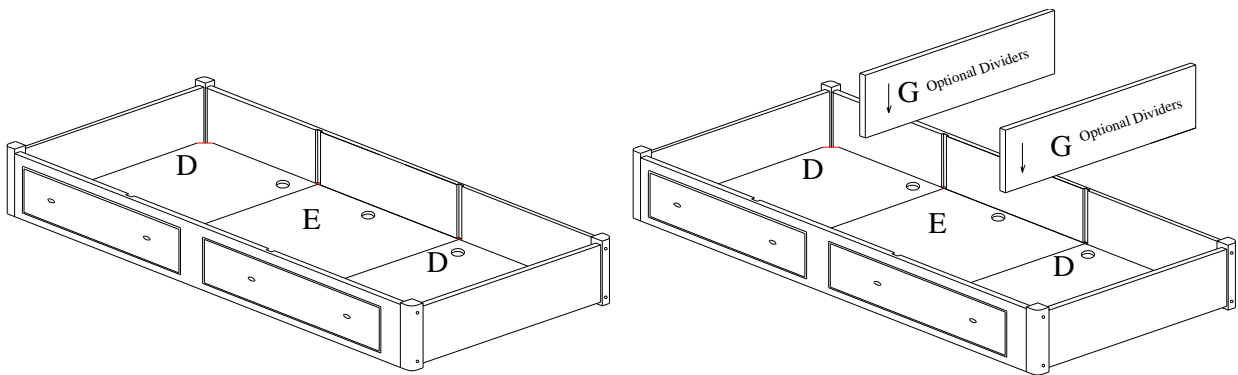










Figure 5

Hardware List:

①	BOLT	 Ø 1/4" * 2-1/4"	8PCS
②	BOLT	 Ø 1/4" * 1-1/2"	6PCS
③	FLAT WASHER	 1/4"	6PCS
④	LOCK WASHER	 1/4"	6PCS
⑤	SPANNER	 4mm	1PCS
⑥	CASTER	 5/16"	6PCS
⑦	WRENCH	 12mm	1PCS
⑧	FLAT WASHER	 5/16"	6PCS

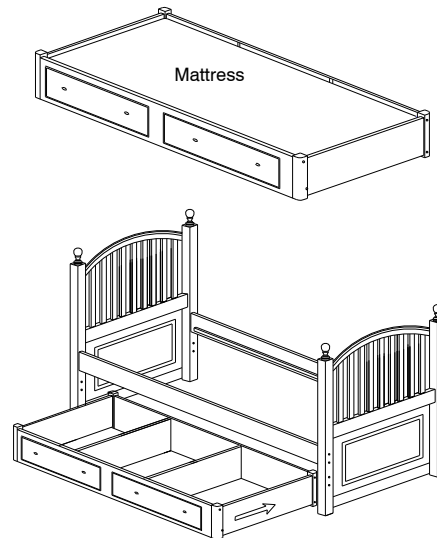


Figure 6

Note: Bed rails must be railed to upper locking position.

Special Instruction: To avoid soiling carpets always wipe any excess stain residue off the bottom of the legs with a cloth rag before assembly the placing the furniture on carpeting. During normal everyday use bolts and nuts may loosen up. They should be periodically inspected and re-tightened to prevent damage to the furniture or cause injury. Always check to be sure all hardware on this list is attached and kept tightened.